

BMD 300 Minidumper



New 4 x 4 Extra Heavy-Duty Minidumper

- 4x4 drive system for extreme conditions
 - 300kg payload
- Compact size and perfect weight distribution for ease of control
- Designed to be extremely robust and durable
- Built for the rigours of rental companies



No.1 for Light Construction Equipment, Scaffolding, Wheelbarrows

www.ALTRAD-Belle.com



COMPACTING...

MIXING...

CONCRETING...

CUTTING...

BREAKING...

MOVING...

WHEELBARROWS...

SCAFFOLDING

A compact high capacity **4x4 MiniDumper** to move virtually any material over virtually any terrain.

Technical Specifications

Model	BMD 300 MiniDumper	
Part No.	BMD01	
Engine model	(Honda)	GXV160
Motor Power	(Hp)	5.5
	(kW)	4
Max Travel Speed Forward	(km/h)	6
Max Travel Speed Reverse	(km/h)	2.6
Skip Capacity Level Filled	(Ltr)	113
Skip Capacity Heaped Volume	(Ltr)	134
Maximum Uphill Gradient	(°)	20°
Maximum Downhill Gradient	(°)	20°
Maximum Payload	(kg)	300
Machine Weight	(kg)	155
Tyre Pressure	(bar)	2.1
Friction Wheel Pressure	(bar)	2.4
A - Machine Width	(mm)	716
B - Machine Length	(mm)	1588
C - Machine Length During Tipping	(mm)	1957
D - Machine Height	(mm)	925
E - Machine Height During Tipping	(mm)	859
F - Wheel Base	(mm)	528
Noise Level	(dB(A))	101



Carrier Wheel Disengages For Easy Wheel Change



Reinforced Chassis And Axle For Durability



Easy Access Fuel Filler



Large Heavy Duty Skip Carries Upto 300kg



Ability To Climb Steep Gradients When Fully Loaded



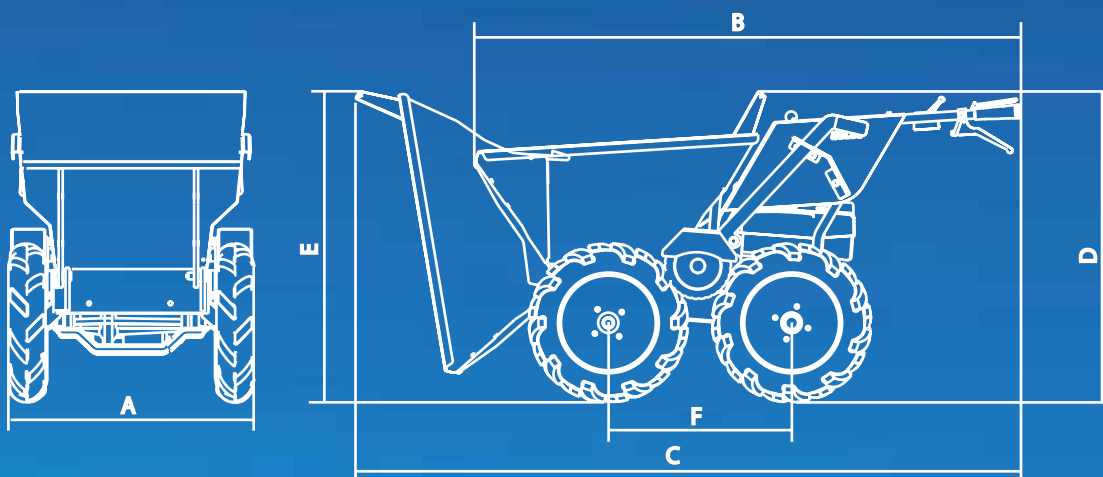
Designed To Fit Through Standard Doorways



Easy To Transport In The Back Of A Van



Loading Ramps Available



The MiniDumper options **increase** the **versatility** of the machine enabling it to carry awkward or **oversized** loads, **tipping** into skips, and **towing**.

Technical Specifications

Model	Flatbed Attachment	
Part No.	OPD/01/DIO	
Overall Length	(mm)	1550
Overall Width	(mm)	716
Overall Height	(mm)	1030
Surface Area	(m ²)	0.35
Max Payload	(kg)	300
Machine Weight	(kg)	143.2
Flatbed Weight	(kg)	13.2



Robust Heavy Duty Flatbed



Enables Large Loads To Be Carried

Model	Snow Plough Attachment	
Part No.	OPD/10/DIO	
Overall Length	(mm)	1810
Overall Width	(mm)	940
Overall Height	(mm)	1150
Machine Weight	(kg)	195
Snow Plough Weight	(kg)	40



Ridged Skip Loading Ramps



Enables Tipping Directly Into Skip

Model	Euro Towing Ball	
Part No.	OPD/04/DIO	
Overall Length	(mm)	1550
Overall Width	(mm)	716
Overall Height	(mm)	925
Ball Size	(mm)	50
Max Towing Weight (flat ground)	(kg)	1000
Max Towing Weight (10° Gradient)	(kg)	350
Max Nose Weight	(kg)	80
Machine Weight	(kg)	147
Attachment Weight	(kg)	17



Heavy Duty Towing Attachment



Capable Of Towing Up To 1.0 Tonne

Model	Towing Ball, 20mm pin	
Part No.	OPD/06/DIO	
(Specification as above)		



Wide Tyre Option



Suitable For Landscaping

Model	Turf Tyre Kit	
Part No.	OPD/05/DIO	
Overall Length	(mm)	1550
Overall Width	(mm)	1004
Overall Height	(mm)	1588
Tyre Size	(in)	20 x 10 -8
Machine Weight	(kg)	195
Turf Tyre Weight (per tyre)	(kg)	10
Turf Tyre Pressure	(bar)	1.5

Skip Loading Ramps

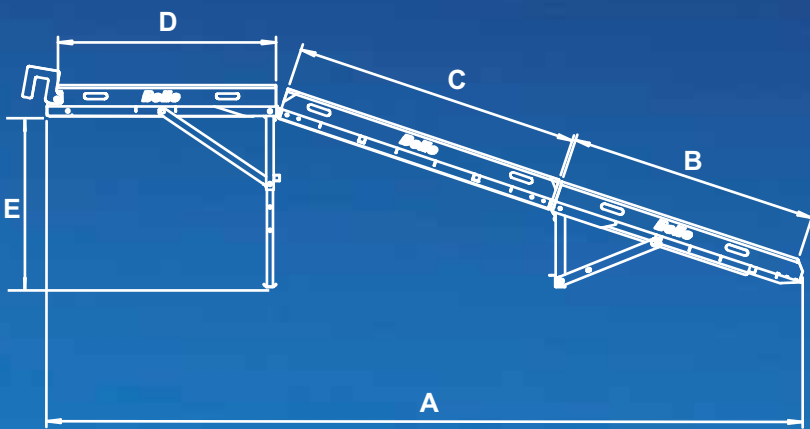
Model	Skip Loading Ramps	
Part No.	OPD/03/DIO	
A - Length	(mm)	3966
B - Section 1	(mm)	1305
C - Section 2	(mm)	1500
D - Section 3	(mm)	1144
E - Height Max	(mm)	1250
F - Width	(mm)	953
G - Width	(mm)	786
Weight Per Section	(kg)	30



Ridged Skip Loading Ramps



Enables Tipping Directly Into Skip



Belle Group Head Office

Sheen, Nr. Buxton

Derbyshire, SK17 0EU

Tel: (+44) 01298 84606

Fax: (+44) 01298 84722

Email: sales@belle-group.co.uk

www.ALTRAD-Belle.com



Dealer Stamp:

