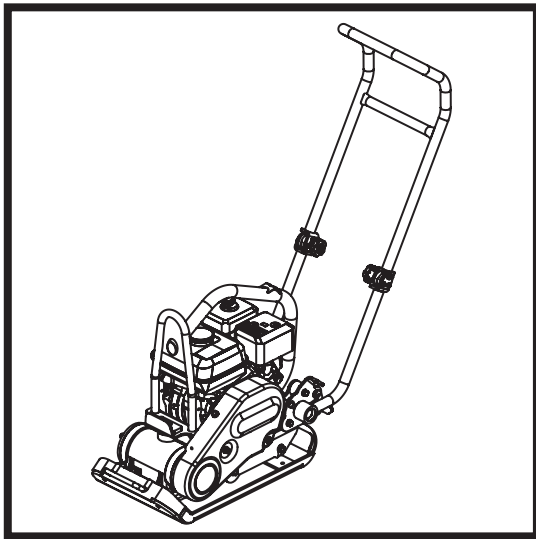




# BELLE PCLX 13/33

870/10027/3  
11/23



Ⓒ Operators Manual

4

2

UKCA Declaration of Conformity

3 - 10

EC Declaration of Conformity

# Declaration Of Conformity (DOC)

We, **Altrad Belle, Sheen, Nr. Buxton, Derbyshire, SK17 0EU, GB** declare that the DoC is issued under our sole responsibility and belongs to the followings product(s):



PRODUCT TYPE .....

MODEL.....

SERIAL No.....

DATE OF MANUFACTURE

SOUND POWER LEVEL  
MEASURED /  
.....(GUARANTEED)

WEIGHT.....



## Object of the Declaration:

Single-direction plate compactor used for soil compaction on new developments, repairs and maintenance jobs with large aggregates, cohesive material or moist content.

The object of the declaration described above is in conformity with the relevant **Statutory Requirements:**

- **2008 No. 1597** Supply of Machinery (Safety) Regulations 2008
- **2001 No. 1701** Noise Emission in the Environment by Equipment for use Outdoors Regulations 2001

The following designated standards and technical specifications have been applied:

- **EN ISO 12100:2010** Safety of machinery
- **EN 500-4:2011** Mobile road construction machinery. Safety.
- **ISO 3744:2010** Acoustics — Determination of sound power levels and sound energy levels of noise sources using sound pressure

**ANP CERTIFICATION LTD. (Approved Body, number 8500) 2 Parkfield Street, Manchester, M14 4PN, UK** carried out Internal Control of Production with Assessment of Technical Documentation and Periodical Checking as per Schedule 9 of SI 2001 1701

Technical Files are held by **Ray Neilson** at the Altrad Belle address stated above:-

## Place of Declaration:-

Sheen,  
Nr. Buxton,  
Derbyshire,  
SK17 0EU,  
UK

## Date of Declaration:-

February 2022

Signed by:

Ray Neilson

**Managing Director**  
On behalf of Altrad Belle  
Sheen, Derbyshire, UK



# EC Declaration Of Conformity (DOC)



We, **Altrad Belle, Sheen, Nr. Buxton, Derbyshire, SK17 0EU, GB** declare that the DoC is issued under our sole responsibility and belongs to the followings product(s):



PRODUCT TYPE .....

MODEL.....

SERIAL No.....

DATE OF MANUFACTURE .....

SOUND POWER LEVEL  
MEASURED /  
.....(GUARANTEED)

WEIGHT.....



Signed by:

**Ray Neilson**

**Managing Director**

*On behalf of Altrad Belle, Sheen, Derbyshire, UK*

**Place of Declaration:-**

*Sheen, Nr. Buxton, Derbyshire, SK17 0EU, UK*

**Date of Declaration:-**

*April 2021*

**Object of the Declaration:**

Single-direction plate compactor used for soil compaction on new developments, repairs and maintenance jobs with large aggregates, cohesive material or moist content.

The object of the declaration described above is in conformity with the relevant **Union Harmonisation Legislation:**

- **2006/42/EC** - New machinery directive

- **2000/14/EC** - Noise - equipment for use outdoors

The following harmonised standards and technical specifications have been applied:

- **EN ISO 12100:2010** Safety of machinery
- **EN 500-4:2011** Mobile road construction machinery. Safety.
- **ISO 3744:2010** Acoustics — Determination of sound power levels and sound energy levels of noise sources using sound pressure

**VINÇOTTE nv/sa (NB0026)** located at Jan Olieslagerslaan 35, 1800 Vilvoorde, Belgium, carried out Internal Control of Production with Assessment of Technical Documentation and Periodical Checking as per Annex VI of 2000/14/EC

Technical Files are held by **Hugues Menager** at the following address:-  
**Altrad (Group Holding)**, 125 Rue du Mas Carbonnier, 34000, Montpellier, France.



# EU Declaration Of Conformity (DOC)



We, **Altrad Belle, Sheen, Nr. Buxton, Derbyshire, SK17 0EU, GB** declare that the DoC is issued under our sole responsibility and belongs to the followings product(s):



PRODUCT TYPE .....

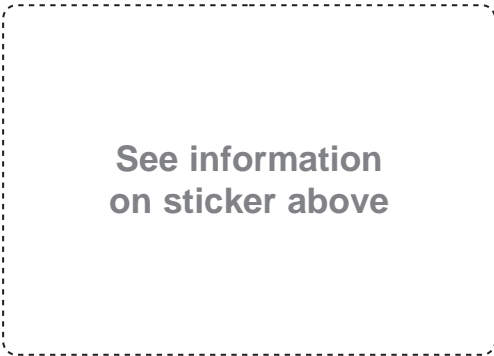
MODEL.....

SERIAL No.....

DATE OF MANUFACTURE .....

SOUND POWER LEVEL  
MEASURED /  
.....(GUARANTEED)

WEIGHT.....



Signed by:

**Ray Neilson**

**Managing Director**

*On behalf of Altrad Belle, Sheen, Derbyshire, UK*

**Place of Declaration:-**

*Sheen, Nr. Buxton, Derbyshire, SK17 0EU, UK*

**Date of Declaration:-**

*April 2021*

**Object of the Declaration:**

Single-direction plate compactor used for soil compaction on new developments, repairs and maintenance jobs with large aggregates, cohesive material or moist content.

The object of the declaration described above is in conformity with the relevant **Union Harmonisation Legislation:**

- **2014/30/EU** - EMC Directive

The following harmonised standards and technical specifications have been applied:

- **EN ISO 12100:2010** Safety of machinery
- **EN 500-4:2011** Mobile road construction machinery. Safety.
- **ISO 3744:2010** Acoustics — Determination of sound power levels and sound energy levels of noise sources using sound pressure

**VINÇOTTE nv/sa (NB0026)** located at Jan Olieslagerslaan 35, 1800 Vilvoorde, Belgium, carried out Internal Control of Production with Assessment of Technical Documentation and Periodical Checking as per Annex VI of 2000/14/EC

Technical Files are held by **Hugues Menager** at the following address:-  
**Altrad (Group Holding)**, 125 Rue du Mas Carbonnier, 34000, Montpellier, France.



# Contents

<b><u>CONTENTS</u></b>	<b><u>PAGE NUMBER</u></b>
<b>UKCA DECLARATION OF CONFORMITY .....</b>	<b>2</b>
<b>EC/EU DECLARATION OF CONFORMITY .....</b>	<b>3</b>
<b>INTRODUCTION .....</b>	<b>5</b>
WARNING .....	5
Serial Numbers.....	5
<b>MACHINE DESCRIPTION</b>	
General.....	6
Standard Operation .....	6
Danger Zone .....	6
Main Components Locations.....	7
<b>TECHNICAL DATA .....</b>	<b>8</b>
<b>SAFETY INSTRUCTIONS</b>	
General.....	9
Pre-Start Checks .....	9
Worksites.....	9
Operating the Machine .....	9
Weather Conditions.....	14
During Maintenance .....	14
After Maintenance .....	14
Modifications & Replacement Parts .....	14
Safety Decals .....	16 - 17
<b>OPERATING INSTRUCTIONS</b>	
Reasons for Compaction.....	18
Applications .....	18
Stopping the Power Unit.....	19
Starting the Power Unit .....	19
Transportation .....	20
Operating the Machine .....	20
<b>STORAGE.....</b>	<b>21</b>
<b>SERVICE AND MAINTENANCE</b>	
General.....	22
Maintenance Schedule.....	22
Drive Belt.....	23
Vibrator Unit .....	23
Cleaning.....	23
Troubleshooting Guide	
<b>ENVIRONMENT .....</b>	<b>26</b>
<b>REPLACEMENT PARTS .....</b>	<b>26</b>
<b>WARRANTY.....</b>	<b>27</b>

# Introduction



The purpose of this publication is to enable the owner/operator to maintain and use the machine efficiently. If these instructions are followed carefully they will contribute to years of efficient and profitable operation of the machines in the true Altrad Belle tradition.

The variations in operating conditions make it impossible for the company to make comprehensive or definite statements in its publications regarding performance and methods of use of its machines, or to accept any liability for any loss or damage which may result from these statements, or from any errors or omissions.

When replacements are required, insist on genuine Altrad Belle parts, as extensive damage is liable to result from the use of inferior quality parts.

In accordance with the company's policy of continuous improvement to its machines, alteration to the specifications of machines may be made at any time without notice and the company accepts no responsibility for any discrepancies which may occur between the specifications of its machines and the descriptions thereof contained in this publications.

This manual has been written to include all factory fitted options and specifications for world-wide use, but this does not imply that all or any of these are included in the standard machine configuration. Therefore local Altrad Belle Dealer's must always be consulted about machine specifications.

This manual may not in part, or in whole, be copied, photocopied, reproduced, translated, or converted to any electronic or machine readable form without written consent of Altrad Belle.

## Directives with regard to the notations.

Text in this manual to which special attention must be paid are shown in the following way:



### **CAUTION**

*The product can be at risk. The machine or yourself can be damaged or injured if procedures are not carried out in the correct way.*



### **WARNING**

*The life of the operator can be at risk.*

# WARNING



### **WARNING**

*Before you operate or carry out any maintenance on this machine **YOU MUST READ** and **STUDY** this manual.*

**KNOW** how to safely use the unit's controls and what you must do for safe maintenance. (NB Be sure that you know how to switch the machine off before you switch on, in case you get into difficulty.)

**ALWAYS** wear or use the proper safety items required for your personal protection. If you have **ANY QUESTIONS** about the safe use or maintenance of this unit, ASK YOUR SUPERVISOR OR CONTACT: **Altrad Belle (UK): +44 (0) 1298 84606**

# Serial Numbers



**ENSURE** you make a note of the serial numbers of your machine and always quote them in any communication with Altrad Belle or one of our dealers.

## **A - MACHINE SERIAL NUMBER**



# Machine Description

## **GENERAL**

Mid-weight, professional compaction plate with low hand arm vibration and high performance compaction.

The ultimate combination of weight, power and versatility enables this compactor plate to perform in a multitude of applications to the highest standard.

## **STANDARD OPERATION**

The machine is intended to be used for the following, in safe environmental conditions as described in this manual.

- Cohesive materials (less than 20% granular) e.g clay, silt & heavy soils.
- Granular materials (more than 20% granular) e.g hard core, sand & light soils.
- Bituminous materials e.g asphalt (tarmac), cold lay (bitumin emulsion products).

Any other use is not deemed suitable for this machine. Altrad Belle will not liable for any damage or injury resulting from any use other than outlined above. The operator will be liable.

Any unauthorised modifications or attachments are prohibited. They may affect the performance and safety of the machine, potentially resulting in damage to the machine or injury to the operator.

Use of non-genuine replacement parts may also affect the performance and safety of the machine. potentially resulting in damage to the machine or injury to the operator.

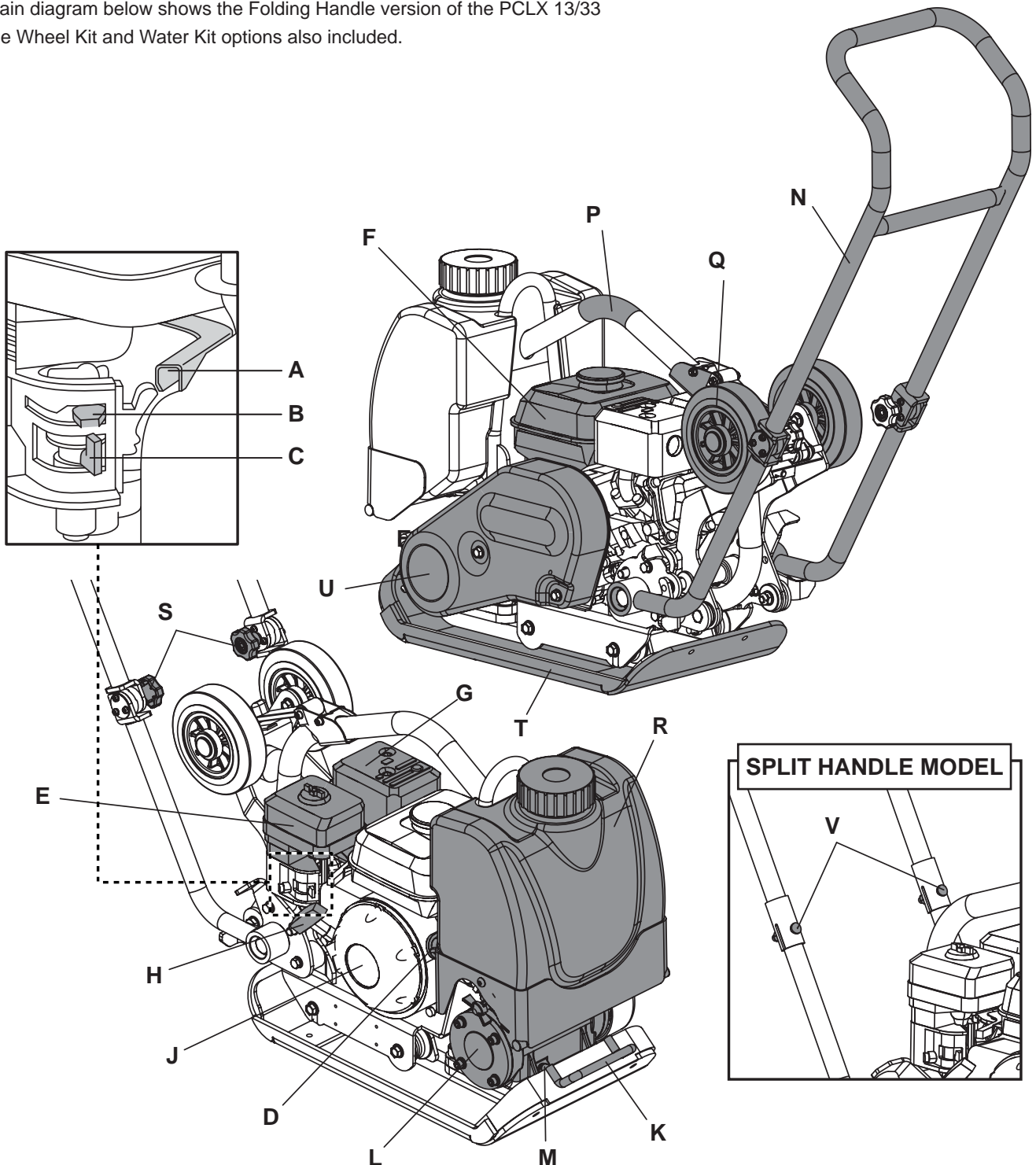
## **DANGER ZONE**

The danger zone is the area around the machine in which persons are endangered during standard operation as outlined above.

During operation of the machine, cordon off the work area and keep members of the public and unauthorized personnel at a safe distance away from the danger zone.

## MAIN COMPONENT LOCATIONS

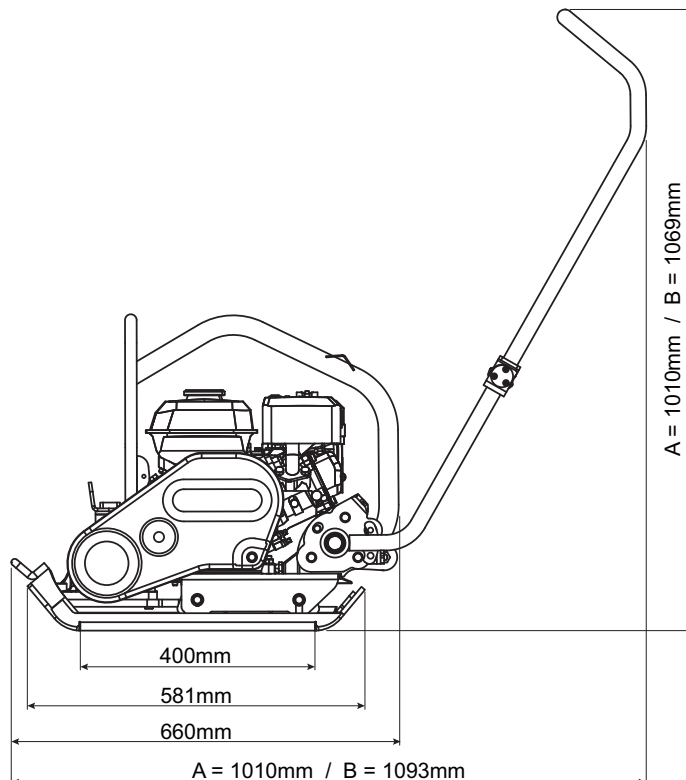
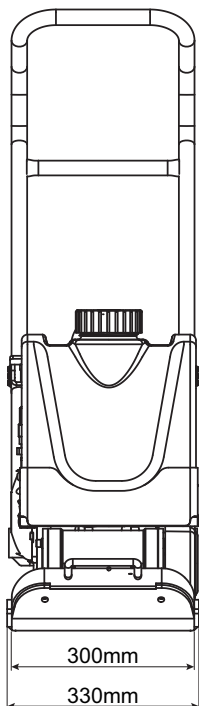
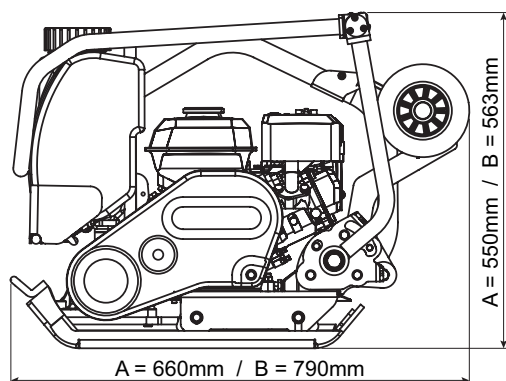
The main diagram below shows the Folding Handle version of the PCLX 13/33 with the Wheel Kit and Water Kit options also included.



- A. Throttle lever.
- B. Choke lever.
- C. Fuel ON / OFF lever.
- D. Engine ON / OFF switch.
- E. Air Filter Housing.
- F. Fuel Tank.
- G. Exhaust.
- H. Recoil Starter Handle.
- J. Engine.
- K. Hand Lifting Points.
- L. Vibrator / Vibrator Housing.
- M. Vibrator Oil Check Plug.
- N. Control Handle.
- P. Lifting Eye (for use with a mechanical hoist).
- Q. Wheel Kit Assembly.
- R. Water Kit Assembly.
- S. Handle Clamp/Release Knobs (Folding Handle model only).
- T. Baseplate.
- U. Belt Guard.
- V. Handle Fasteners (Split Handle model only).

**NOTE:-** The diagram below shows the folding handle version of the PCLX 13/33, however the figures are shown for both the folding handle and split handle versions.

A = Split Handle Version  
B = Folding Handle Version



Model	PCLX 13/33
Engine Model	Honda GX120
Engine Power (Hp / kW)	3.3 / 2.4
*Weight (kg)	68
Static Pressure (kg/m <sup>2</sup> )	567
Vibrator Force (kN)	13
Frequency (Hz)	101
Maximum Travel Speed (m/min)	25
Compaction Force (kg/m <sup>2</sup> )	567
Max Gradient (°)	20
**3 Axis Vibration (m/sec <sup>2</sup> )	3.2
Sound Power Level (dB L <sub>WA</sub> )	105

\* Weight does not include Water Kit or Wheel Kit (Item 13 of Machine Description)

\*\* Minimum level to EN500 Part 4.

## Safe Disposal.



Instructions for the protection of the environment. The machine contains valuable materials. Take the discarded apparatus and accessories to the relevant recycling facilities.

Component	Material
Operator Handle	Steel
Baseplate	Steel
Eccentric Weights	Steel
Vibrator Housing	Aluminium
Engine Housing	Aluminium
Engine Covers	Synthetic Material
Various Parts	Steel & Aluminium



## GENERAL SAFETY

For your own personal protection and for the safety of those around you, please read and ensure you fully understand the following safety information. It is the responsibility of the operator to ensure that he/she fully understands how to operate this equipment safely. If you are unsure about the safe and correct use of the machine, consult your supervisor or Altrad Belle.



### **WARNING**

*Improper maintenance can be hazardous. Read and Understand this section before you perform any maintenance, service or repairs.*

This machine is designed to eliminate the possible risks arising from the use of it. However, risks **DO** reside, and these residual risks are not clearly recognizable, and may cause personal injury or property damage, and possible death. If such unpredictable and unrecognizable risks become apparent, the machine must be stopped immediately, and operator or his supervisor must take appropriate measure to eliminate such risks. It is sometimes necessary that the manufacturer must be informed of such event for future counter measuring.

**ALWAYS** keep the Operator's Manual and any other manuals that accompany this machine to hand. Immediately replace any manuals that may have been lost or are now illegible.

## PRE-START CHECKS

The following Pre-start-up inspection must be performed before the start of each work session or after every four hours of use, whichever is first. Please refer to the service section for detailed guidance. If any fault is discovered, the machine must not be used until the fault is rectified.

1. Thoroughly inspect the machine for signs of damage. Check components are present and secure.
2. **ENSURE** there is no debris or excessive dirt present on the machine.
3. Check hoses, filler openings, drain plugs and any other areas for signs of leakage. Fix any leaks before operating.
4. Check the engine oil level and top up as necessary.
5. Check the engine fuel level and top up as necessary.
6. Check for fuel and oil leaks.

## WORKSITES

- **ENSURE** the operator is familiar with the working surroundings. Worksites can be hazardous.
- **ALWAYS** keep the work area tidy and clear of any obstructions that may lead to accidents and/or injuries.
- Cordon off the work area and keep members of the public and unauthorized personnel at a safe distance.
- This machine is heavy and must not be lifted single-handedly, either **GET HELP** or use suitable lifting equipment. A Wheel Kit Transport option is also available for this machine (see our website [Altrad-Belle.com](http://Altrad-Belle.com))

## OPERATING THE MACHINE

- **ENSURE** the operator has had adequate training prior to use, is familiar with all controls and knows how to safely switch the machine **OFF** before it is switched **ON** in case you get into difficulty.
- Suitable PPE **MUST** be worn when using this equipment i.e. Safety Goggles, Gloves, Ear Defenders, Dust Mask and Steel Toe capped footwear (with anti-slip soles for added protection). Wear clothing suitable for the work you are doing and **DO NOT** wear loose jewellery that could be caught in moving parts
- **ALWAYS** inform colleagues of what you will be doing and where you will be working.
- **DO NOT** operate the machine when you are ill, feeling tired, or when under the influence of drugs / alcohol.
- During use the engine becomes very hot, allow the engine to cool before touching it. **NEVER** leave the engine running and unattended.
- **ENSURE** the operation handle has been securely tightened when changing from the 'storage' position to the 'operation' position.
- **NEVER** remove or tamper with any guards fitted, they are there for your protection. Always check guards for condition and security, if any are damaged or missing, **DO NOT USE THE MACHINE** until the guard has been replaced or repaired.
- When working on a gradient **ALWAYS** work up and down the slope, not across.
- **ALWAYS** proceed with caution when working around utilities (gas, water pipes electrical lines)
- **ENSURE** extra care is taken when working near to banks or trenches where there is a danger of the material collapsing.
- When working within trenches or pits **ALWAYS** pay attention to the side walls as the vibration from the machine could cause them to collapse.
- Some vibration from the compaction operation is transmitted through the handle to the operator's hands. The Altrad Belle Plate Compactor range has been specifically designed to reduce hand/arm vibration levels. Refer to the Technical Data section for vibration levels and usage times (recommended maximum daily exposure time). **DO NOT** exceed the maximum usage times.
- The compacting process will occasionally produce dust, which may be hazardous to your health. Always wear a mask that is suited to the type of dust being produced.

## FUEL SAFETY



### **WARNING**

*Petrol is flammable. It may cause injury and property damage. Shut down the engine, extinguish all open flames and do not smoke while filling the fuel tank. Always wipe up any spilled fuel.*

- Before refuelling, switch off the engine and allow it to cool.
- When refuelling, **DO NOT** smoke or allow naked flames in the area.
- Spilt fuel must be made safe immediately, by using sand. If fuel is spilt on your clothes, change them.
- Store diesel in an approved, purpose made container away from heat and ignition sources.
- If fuel is spilt when re-fuelling the tank, wipe off the excess and wait 2 minutes before re-starting.

## OIL & LUBRICANTS

- When handling oil, grease and other chemical substances observe the product-related safety regulations (safety data sheet)
- If any oil or lubricants are swallowed **DO NOT** make the person vomit and seek medical attention as soon as possible.
- If the oil or lubricants comes into contact with skin or in the eyes, flush with lots of water for at least 15 minutes. Seek medical advice.
- Use a suitable container to collect fluids and lubricants as they flow out and dispose of them in an environmentally friendly manner
- **ALWAYS** store oil and lubricants in secure labelled containers.

## DURING MAINTENANCE

- Carry out maintenance and repair work only if the machine is positioned on stable and level ground and has been secured against inadvertent movement.
- **NEVER** service the machine while the engine is running, always switch **OFF**.
- Clean the machine, especially connections and threaded unions, before carrying out maintenance/repair.
- When dismantling assemblies containing components under pressure from springs, always wear suitable PPE. This will protect against eye injuries from accidental flying components.
- When handling oil, grease and other chemical substances, observe the product related safety regulations.

## AFTER MAINTENANCE

- **ALWAYS** tighten any screwed connections that have been loosened during maintenance and repair.
- Any safety devices removed for set-up, maintenance or repair purposes must be refitted and checked immediately upon completion of the maintenance and repair work.
- **ENSURE** that all consumables and replaced parts are disposed of safely and with minimum environmental impact.

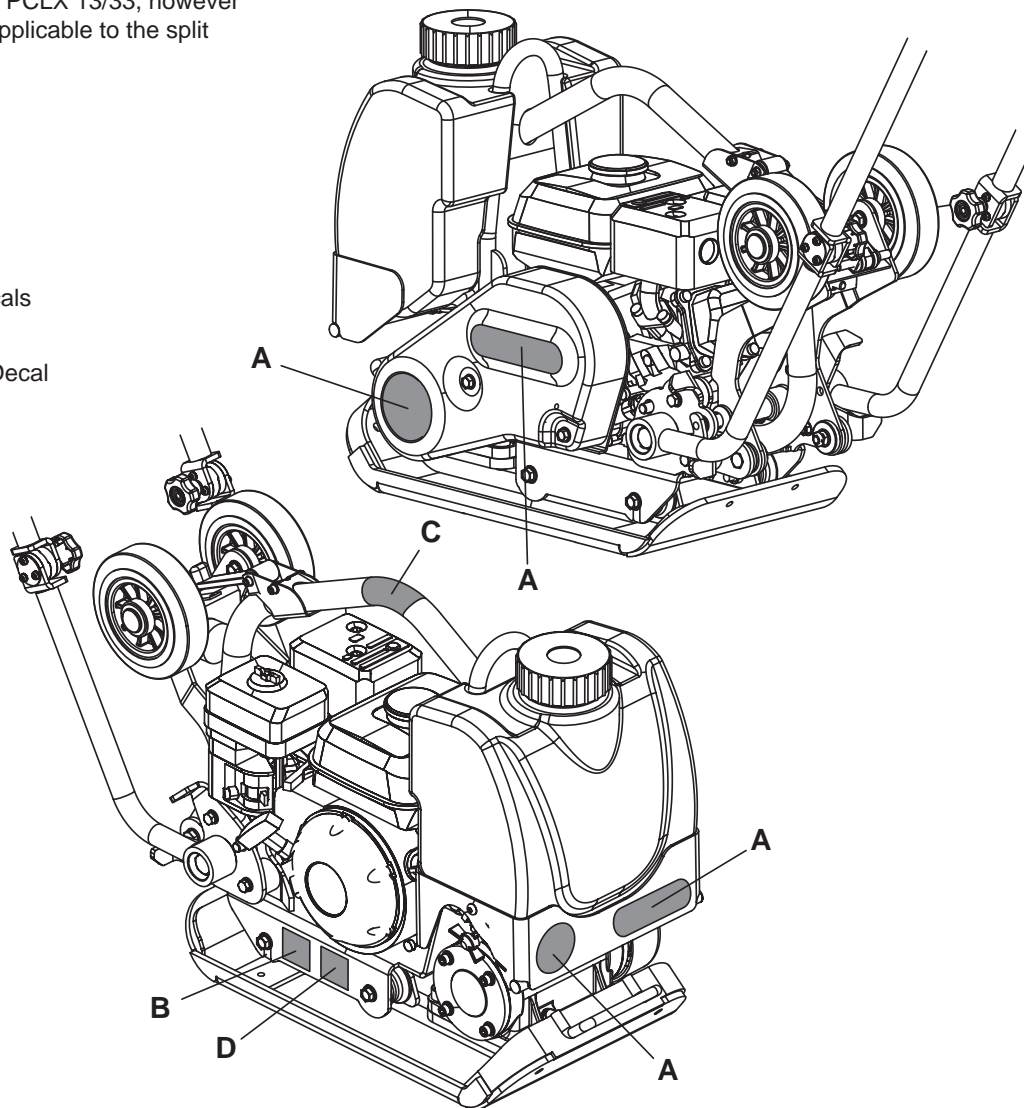
## MODIFICATIONS & REPLACEMENT PARTS

- **NEVER** make any modifications or additions to the machine without the prior approval of Altrad Belle. Any unapproved modifications may affect the performance and safety of the machine. This may also void the Warranty.
- **ALWAYS** use genuine Altrad Belle replacement parts. Use of non-genuine replacement parts may affect the performance and safety of the machine. This may also void the Warranty.

Genuine Altrad Belle replacement parts can be purchased online at [www.Altrad-Belle247.com](http://www.Altrad-Belle247.com)

**NOTE:-** The diagram below shows the folding handle version of the PCLX 13/33, however the decals are also applicable to the split handle version too.

- A. Branding Decals
- B. Noise Decal
- C. Lifting Point Decal
- D. Safety Decal



### A. Branding Decals

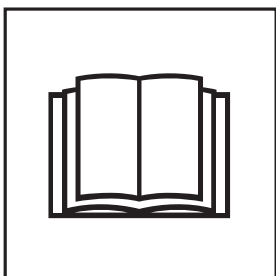
### B. Noise Decal

Shows the noise level of the machine during operation.

### C. Lifting Point Decal

Identifies the designated Lifting Point on the machine for use with a correctly rated mechanical hoist.

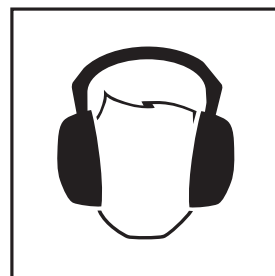
### D. Safety Decal



**Please Read  
Operators Manual**



**Wear Protective  
Footwear**



**Wear Ear  
Protection**



**Wear Eye  
Protection**

## REASONS FOR COMPACTION

Soil, which has been disturbed or new infill, subbase and blacktop, will have small voids or air pockets which, if not compacted, will lead to one or more problems occurring.

1. As traffic crosses the surface of an uncompacted area, the material is compressed. This leads to subsidence of the top surface as the material fills the voids.
2. A similar situation occurs with static loads on uncompacted ground. The load (e.g. a building) will sink.
3. Materials with voids are more susceptible to water seepage, leading to erosion. Water ingress may also cause the soil to expand during freezing temperatures and contract during dry spells. Expansion and contraction is a major cause of damage to building foundations and normally leads to the structure requiring underpinning.  
Compaction increases the density of the material and therefore increases its load bearing capacity. Reduces air voids and therefore reduces the risk of subsidence, expansion and contraction, due to ingress of water.

## APPLICATIONS

Applications/materials fall into three categories:

1. Cohesive materials (less than 20% granular) e.g clay, silt & heavy soils.
2. Granular materials (more than 20% granular) e.g hard core, sand & light soils.
3. Bituminous materials e.g asphalt (tarmac), cold lay (bitumin emulsion products).

The chart shows the HAUC specifications for layer depth and number of passes for Dual Force' plates. If standard machines are used, optimum compaction can not be guaranteed, however, if layer depths are reduced and number of passes increased, results can be improved.

Moisture content of cohesive & granular materials is critical to effective compaction. If granular material is too dry it will flow around the plate instead of compacting. If the moisture content is too high the material may dry out after compaction and shrinkage will occur.

1400 - 1800 kg/m <sup>2</sup>	COMPACTION PASSES REQUIRED PER LAYER OF COMPACTED THICKNESS UP TO.				
	40mm	60mm	80mm	100mm	150mm
<b>Cohesive Materials**</b>	2**	4**	5**	6**	Reduce Layer Thickness
<b>Granular Materials</b>	2*	3*	4*	<b>5</b>	9
<b>Bituminous</b>	6	10	12		Reduce Layer Thickness

\* Usually placed in 100mm minimum layer so not specified by HAUC.

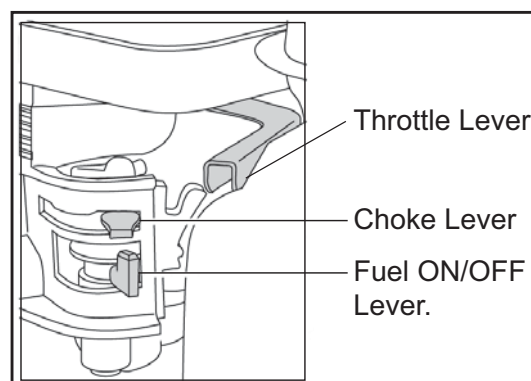
\*\* The nature of cohesive materials makes plate compaction difficult. Optimum compaction is not guaranteed and not recommended by HAUC.

## STOPPING THE ENGINE - HONDA GX120

- Switch **OFF** the engine.
- Turn the fuel tap to the **CLOSED** position.

## STARTING THE ENGINE - HONDA GX120

- Open the fuel tap by moving the fuel **ON / OFF** lever fully to the right.
- If starting the engine from cold, set the choke **ON** by moving the choke lever fully to the left. If restarting a warm engine, the choke is usually not required, however, if the engine has cooled to a degree, partial choke may be required.
- Turn the engine **ON / OFF** switch clockwise to the 'I' position.
- Set the throttle to the idle position by moving the throttle lever fully to the right.
- Taking a firm hold of the frame with one hand, grasp the recoil starter handle with the other. Pull the recoil starter until engine resistance is felt, then let starter return.
- Taking care not to pull the starter's rope fully out, pull the starter handle briskly.
- Repeat until the engine fires.
- Once the engine fires gradually set the choke lever to the **OFF** position by moving it to the right.
- If the engine fails to fire after several attempts, follow the Troubleshooting Guide.
- To stop the engine, set the throttle to idle and turn the engine **ON / OFF** switch anticlockwise to the '0' position.
- Turn the fuel **OFF**.



## TRANSPORTATION



### **CAUTION**

We **RECOMMEND** removing the battery pack from the power unit before transporting the machine.

**NOTE:-** The diagram below shows the Split Handle version of the PCLX 13/33 but the procedure also applies to the Folding Handle version too.

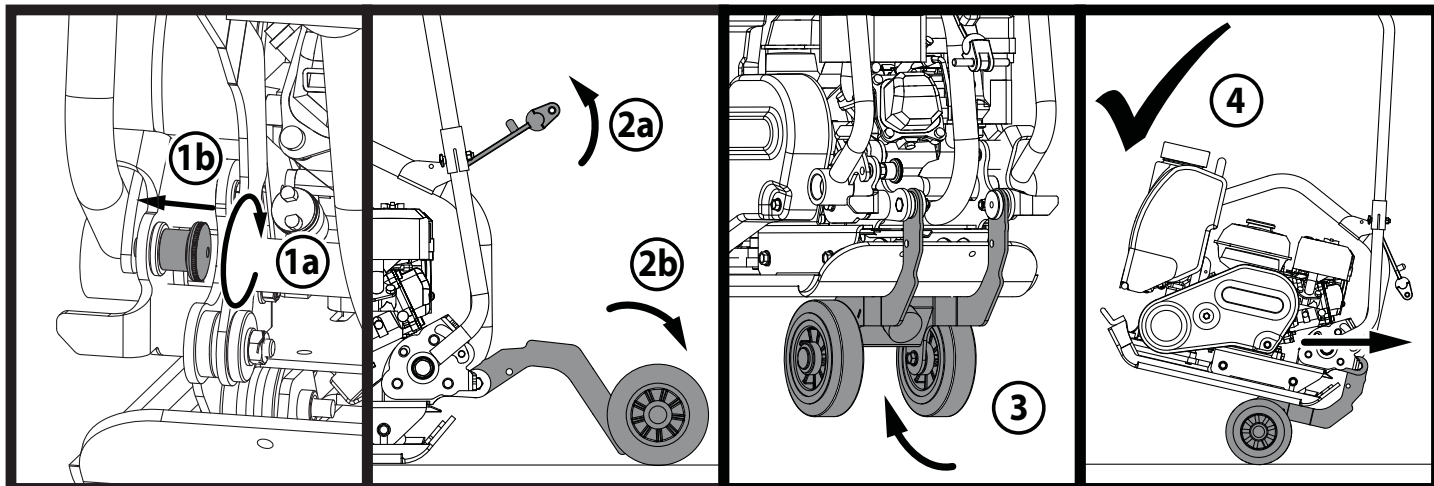
Transporting the machine is a 2 person operation. Use the provided Hand Lifting Points (See Machine Description section)

**DO NOT** use a Mechanical Hoist on the Hand Lifting Points.

Where it is necessary to use lifting equipment to transport the machine, make sure the lifting equipment has a WLL (Working Load Limit) suitable for the machines weight (see Technical Data section). Attach suitable chains or slings **ONLY** to the lifting point on the top of the machine.

If using the optional Wheel Kit attachment the handle latch must **ALWAYS** be engaged using the following procedure.

1. Twist the handle latch knob to engage the handle latch and lock the handle.
2. Once the handle is locked into place, pull the wheel kit securing strap upwards to release the wheel kit. Lower the wheel kit to the ground.
3. Tip the whole machine forward onto the front edge of the baseplate and allow the wheel kit to slide underneath the baseplate.
4. The machine is now ready to be transported in a backwards direction using the wheel kit



### **CAUTION**

**ALWAYS** pull the machine backwards when using the optional Wheel Kit attachment.

## OPERATING THE MACHINE

Having carried out the Pre-Start Checks listed in the Safety Instructions section of this manual, you may start the power unit.

The vibrator will not only cause the baseplate to vibrate but will also cause the machine to travel forward. During normal operation you should not have to push the machine forwards but allow it to travel at its own pace. The speed of travel will be determined by the condition of the surface being compacted.

If the surface to be compacted is on a slope, great care must be taken when controlling the machine's direction of travel. If necessary, use a suitable rope attached to the machine at a low point on the chassis, to allow a helper to take part of the machine's weight. Work up and down a slope not across.

Work the compactor over the surface in an organised pattern until the required compaction has been achieved.

Where there are a number of different layers to be compacted on top of each other, compact each layer individually.

If the machine is not to be used for an long period of time it must be stored correctly to prevent deterioration or damage occurring during this period.

Store the machine in a clean dry building with plenty of ventilation if possible. If you can only store outdoors, cover with a waterproof sheet / tarpaulin.

## PREPARING THE MACHINE FOR STORAGE

1. Clean the machine and remove all unwanted material / debris.
2. Dry the machine to remove any moisture.
3. Apply grease to any moving parts / grease points.
4. Examine the machine for any worn / damaged parts. Replace if necessary.

## STORING THE MACHINE

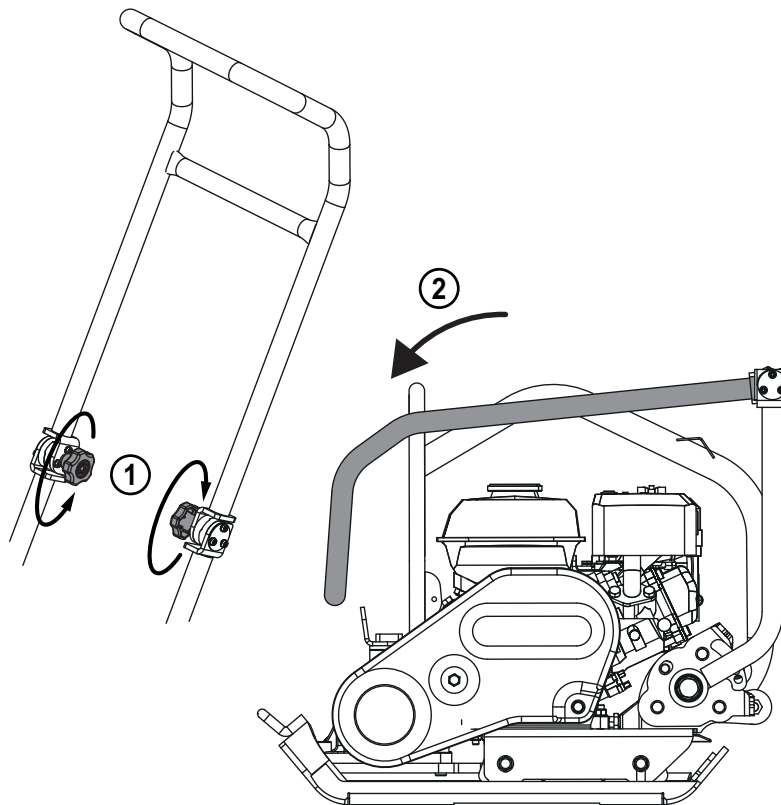
1. Place the machine safely on stable, level ground. **ENSURE** there is sufficient room around the machine to be able to carry out any service or maintenance procedures during the storage period.
2. Loosen the operating handle clamp/release knobs and place the handle in the storage position (see below)

To prevent the build up of rust and to minimise the risk of seizures, periodically operate all machine functions during storage.

## REMOVING THE MACHINE FROM STORAGE

1. Carry out the Pre-Start Check procedure from earlier in this manual.

**NOTE:-** The diagram below shows how to place the Folding Handle version of the PCLX 13/33 into the storage position.



To place the Split Handle version of the PCLX 13/33 into the storage position, remove the handle fasteners using the appropriate sized spanner and place the handle securely on top of the machine. Place the fasteners back into the holes on the handle to keep them safe for future use.

## GENERAL

This machine is designed to give many years of trouble free operation. It is, however, important that the simple regular maintenance listed in this section is carried out. All maintenance procedures must be carried out by a competent, suitably qualified person.

A poorly maintained machine could be a danger to the operator and the other personnel on the worksite. **ENSURE** that the regular maintenance procedures listed in this manual are performed correctly and on time to keep the machine safe and efficient.

**ALWAYS** use genuine Altrad Belle replacement parts, the use of spurious parts may void your warranty.

Before any maintenance is carried out on the machine, switch off the machine and **ALWAYS** set the machine on stable, level ground.

**ENSURE** any faults identified during maintenance procedures are addressed and corrected immediately.

Routine Maintenance		First 4 Hours	First Month / 20 Hours	3 Months / 50 Hours	6 Months / 100 Hours
Engine Oil	Check Level	✓			
	Change		✓		✓
Air Filter	Check Condition / Clean		✓		✓
	Replace when necessary / Every 12 months				
Spark Plug	Change				✓
Drive Belt	Tension	✓	✓	✓	

## Oil / Fuel Type & Quantity - Spark Plug Type

	Oil Type	Quantity (Litre)	Fuel Type	Capacity (Litre)	Spark Plug Type	Electrode Gap (mm)
Petrol Honda GX120	S.A.E. 10W 30	0.6	Unleaded	2.5	BM6ES or BPR6ES	0.7 - 0.8
Vibrator	S.A.E. 10W 40	0.22	N/A	N/A	N/A	N/A

## DRIVE BELT

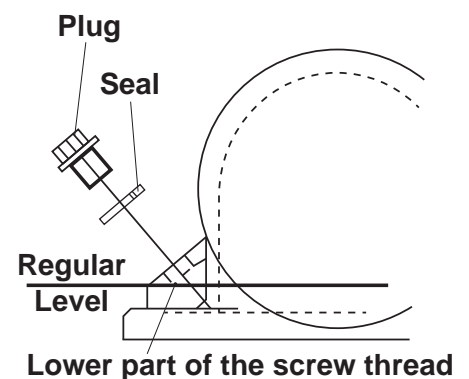
Remove the belt guard then check the belt tension by placing light finger pressure on the top of the belt, as near central between the engine drive and vibrator pulley. The belt should deflect by between 5mm and 10mm.

If the belt tension requires adjustment, loosen the four engine mount bolts enough to allow the engine to be moved. Adjust the engine's position by turning the tension bolt clockwise to increase belt tension, anti-clockwise to decrease. Once set, retighten the engine mount bolts and check the belt tension a second time.

Finally, replace the belt guard ensuring it is correctly and securely fitted.

## VIBRATOR UNIT

Place the machine safely on stable, level ground. Remove the plug complete with seal, check that the oil level reaches the bottom thread on the oil plug hole. Top up as necessary with the correct oil (see chart below).



Problem	Cause	Remedy
Engine will not start.	No fuel.	Open fuel tap. Fill fuel tank.
	Engine switched off.	Switch engine on.
	Spark plug fouled.	Clean and reset plug gap.
	Engine cold.	Close choke.
	Engine flooded.	Honda, open choke, fully open throttle, pull recoil starter until engine fires.
Engine still will not start.	Major Fault	Contact Agent or Altrad Belle.
Unit will not vibrate.	Engine speed too slow.	Set engine speed control to fast.
	Drive belt tension loose.	Adjust belt tension.
	Air filter blocked	Clean or renew air filter.
	Drive failure.	Contact Agent or Altrad Belle.
	Vibrator failure.	Contact Agent or Altrad Belle.
Asphalt adhering to plate.	Lack of lubrication.	Use a water spray system.
Bituminous surface flaking (laminating).	Over compaction.	Remove and relay.
Low travel speed (plate sinking).	Layer thickness too deep.	Remove some of the material.
	Moisture content too high or too low.	Remove material and adjust.
Paving blocks damaged.	Plate in direct contact with material.	Use a paving pad.



# Warranty



Your new Altrad Belle 'PCLX 13/33' Single Direction Plate Compactor is warranted to the original purchaser for a period of one-year (12 months) from the original date of purchase. The Altrad Belle warranty is against defects in design, materials and workmanship.

The following are not covered under the Altrad Belle warranty:

1. Damage caused by abuse, misuse, dropping or other similar damage caused by or as a result of failure to follow assembly, operation or user maintenance instructions.
2. Alterations, additions or repairs carried out by persons other than Altrad Belle or their recognised agents.
3. Transportation or shipment costs to and from Altrad Belle or their recognised agents, for repair or assessment against a warranty claim, on any machine.
4. Materials and/or labour costs to renew, repair or replace components due to fair wear and tear.

The following components are not covered by warranty.

- Drivebelt/s
- Engine air filter
- Engine spark plug

Altrad Belle and/or their recognised agents, directors, employees or insurers will not be held liable for consequential or other damages, losses or expenses in connection with or by reason of or the inability to use the machine for any purpose.

## Warranty Claims

All warranty claims should firstly be directed to Altrad Belle, either by telephone, by Fax, by Email, or in writing.

### For warranty claims:

Tel: +44 (0)1298 84606

Fax: +44 (0)1298 84073

Email: [warranty.dept@altrad-belle.com](mailto:warranty.dept@altrad-belle.com)

### Write to:

Altrad Belle Warranty Department, Sheen, Nr. Buxton, Derbyshire, SK17 0EU, England.

### Warranty Registration:

In the bid for ALTRAD Belle to become greener and more eco friendly, we have now introduced online Warranty registration. To access the registration page of our website, please use the following address:-

[http://www.bellegroup.com/index.php?p=warranty\\_registration](http://www.bellegroup.com/index.php?p=warranty_registration)

Alternatively, please scan the adjacent QR Code (Quick Response Code) using your smartphone to access the registration page.



# Replacement Parts



When maintaining this product only the manufacturers original, genuine replacement parts may be used.

The user will lose any possible claims if replacement parts used are other than the makers original replacement parts.

Replacement parts for this product can be ordered online 24 hours a day, 7 days a week at [www.Altrad-Belle247.com](http://www.Altrad-Belle247.com)

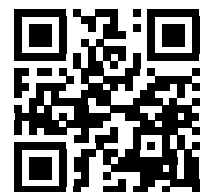
For more information regarding the availability of replacement parts for this product, please contact Altrad Belle using the following contact details:-

Tel:- +44 (0)1298 84606

Fax:- +44 (0)1298 84073

Email:- [sales@altrad-belle.com](mailto:sales@altrad-belle.com)

Alternatively, please scan the adjacent QR Code (Quick Response Code) using your smartphone to access the Altrad Belle online parts portal.





BELLE  
LIGHT  
CONSTRUCTION  
EQUIPMENT

### **ALTRAD BELLE**

Sheen, Nr. Buxton, Derbyshire, SK17 0EU, GB

Tel. +44 (0)1298 84606 - Fax +44 (0)1298 84722 - Email: [sales@altrad-belle.com](mailto:sales@altrad-belle.com)

[www.Altrad-Belle.com](http://www.Altrad-Belle.com)

### **EU IMPORTER ADDRESS**

*ADRESSE DE L'IMPORTATEUR - DIRECCIÓN DEL IMPORTADOR - ENDEREÇO DO IMPORTADOR - ADRES IMPORTEUR*

*IMPORTØRENS ADRESSE - IMPORTEUR ADRESSE - INDIRIZZO DELL'IMPORTATORE - IMPORTÖRENS ADRESS - IMPORTØRADRESSE*

*MAAHANTUOJAN OSOITE - ADRES IMPORTERA - IMPORTIJA AADRES - IMPORTĚTĀJA ADRESE - IMPORTUOTOJO ADRESAS*

*ADRESA DOVOZCE - ADRESA IMPORTATORULUI - IMPORTÓR CÍME - ADRESA UVOZNIKA - İTHALATÇI ADRESİ - ADRESA DOVOZCU*

### **ALTRAD (Group Holding)**

125, Rue du Mas Carbonnier, 34000, Montpellier, France

Tel. +33 (0) 4 67 50 53 66 - Email: [admin@altrad.com](mailto:admin@altrad.com)

[www.altrad.com](http://www.altrad.com)